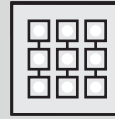
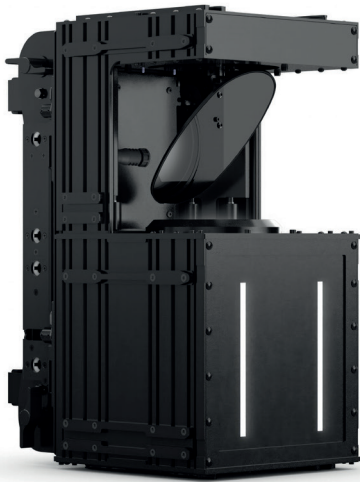


V-SNAP CS

The V-SNAP CS is the first moving-beam projector designed to redefine the standards of speed and precision in professional lighting, thanks to the revolutionary DLD technology.

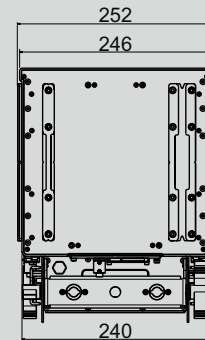
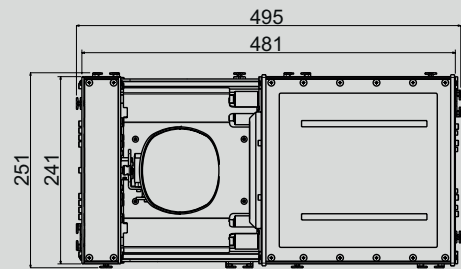
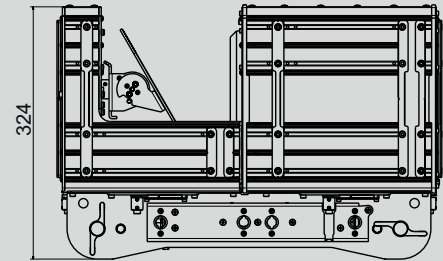


SCANNER
MODULE LASER



FAMILY

	V-SNAP CS
V-SYSTEM	●



APPLICATIONS

The V-SNAP CS is ideal for Live Shows and high-impact visual events, television and broadcast studios where speed is essential, as well as outdoor installations, theme parks, and urban spaces thanks to its IP65 protection rating, which ensures reliability in any environment.

SKILLS

- DLD Technology
- 120W Laser Module
- IP65 Rating
- Pan 180° in 0.33s
- 5 prisms
- 12 color filters + CTD and CTH filters
- 24 static gobos
- RDM/DMX/Art-Net control
- FAD Modularity (Fast Assembly Design).

FEATURES



CERTIFICATIONS



CODE

03.ESC01	Black
03.ESC01.06	White

FINITURES



TECHNICAL DATA

OUTPUT

- 120 W Laser module source (4000 lumens output from a 5000-lumen source)
- Average Laser life: 12000 hours (L70B10)

OPTICAL GROUP

- With a color temperature of 10,000 K and 68,000 lux at 20 meters
- Motorized focus
- Beam aperture:
 - 0.5° (minimum);
 - 1.6° (open/gobo);
 - Up to 3.3° with frost filter.
- PWM up to 20 kHz
- Flicker-free modulation suitable for video recording.
- Strobe effect
 - Adjustable up to 33 Hz;
 - Wide dynamic intensity range.
- Dedicated white filter wheel with:
 - CTD (Converted To Daylight) – 6000 K;
 - CTH (Converted To Halogen) – 3000 K.
- Fixed gobo wheel
 - 24 positions, including 3 reducers.

COLOR GENERATION

- The color wheel features 12 filters.
- It includes a white/color strobe function available on 10 filters: Red, Green, Blue, Yellow, Magenta, Violet, Amber, Cyan, Jade Green and Light Pink.
- It outperforms traditional color wheels.
- The high-speed rotation enables extremely fast transitions.
- The split-color function allows users to:
 - combine or separate two colors within the same projection;
 - adjust the ratio between the two colors;
 - move from a smooth fade to a sharp, well-defined cut, ideal for mid-air effects.

DYNAMIC EFFECTS

Optical system composed of:

- 2 static prisms (non-rotating):
 - 4-facet (array 2x2);
 - 8-facet (circular).
- 3 dynamic prisms:
 - 4-facet (linear);
 - 8-facet (circular);
 - 15-facet (circular: 5 inner facets + 10 outer facets arranged on two layers).
- Indexable;
- Rotating;
- Equipped with partial insertion control via Dyna Prism system.
- Dyna Move effect (available on the 3 dynamic prisms):
 - 2:1 zoom ratio;
 - Range from 6.5° to 13°;
 - Transition from overlapping beams to widely spaced rays (Dyna Prism effect).
- Twin eye-candy:
 - Two individual strip LED RGBW;
 - Eye-candy dimmer;
 - Eye-candy strobe up to 33Hz;
 - RGBW control for each strip LED.

DMX

- 34 DMX channels

PAN & TILT

- Pan: 180° (full rotation in 0.33 seconds – 540°/second)
- Tilt: 70° (full rotation in 0.24 seconds – 290°/second)

USER INTERFACE

- LCD display + 4 capacitive touch keys

POWER SUPPLY

- Wide-range 100-240 Vac 50/60 Hz
- Power consumption: 210 W max
- Power Factor: PF >0.95

CONNECTIONS

- DMX: XLR 5-pole In/Out panel connector
- Power supply: compatible powerCON True1 panel connector

MOUNTING OPTIONS

- Compact design allowing two units to be paired within a 500 × 500 mm footprint (standard LED panel size)
- FAD (Fast Array Design) system, enabling:
 - aligned or staggered configurations;
 - 250 mm pitch;
 - no additional accessories required.
- Mounting via:
 - dual adjustable rear brackets;
 - fast-lock connections on three sides.

CIRCUITS PROTECTIONS

- Overvoltage and overtemperature circuits protection

TEMPERATURE

- Operating: -5° +45° C
- Storage: 0° +45° C

PHYSICAL

- Housing : Alluminium
- Brackets : 316L stainless steel
- Finishing: Black - White
- Dimensions: 252x495x324 mm
- Weight: 21,5 Kg (47,4 lbs)
- IP rating: IP65
- Corrosion rating: Cat. 4 (According to EN 1396) Very severe coastal marine application

TEST AND CERTIFICATION

- CE

ACCESSORIES

ACCESSORIES INCLUDED

- 1 x XLR 5 pins male cable connector (code 0520P126)
- 1 x XLR 5 pins female cable connector (code 0520P127)
- 1 x PowerCON REAN female cable connector (code 0520P129)
- 1 x PowerCON REAN male cable connector (code 0520P130)
- 2 x Kit Omega clamp "Fast lock" (code 02K00551)

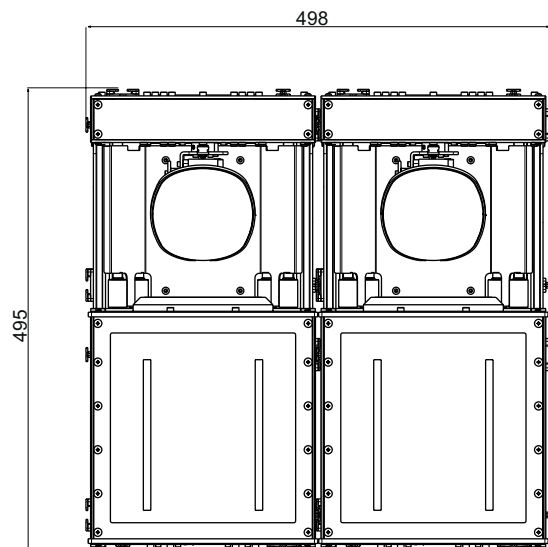
ACCESSORIES ON REQUEST

- Safety cable 5 x 600 mm - max capacity load 60 Kg (code 0521A038)
- Aliscaf clamp for tube diameter 48-51 mm - max. load. 200 Kg (code 0521A033)
- G-QUICK clamp Professional - max. load 100 Kg (code 0521A037)
- Outdoor DMX cable 2 x 0,25 mm² - Flame retardant (code 0509C158)
- Power supply cable 3 x 1,5 mm² (code 0509C040)
- DTS firmware Uploader Dongle (code 03.LA.206)

PHOTOMETRIC DATA

		mt 5	mt 10	mt 20	mt 50	mt 100
		ft 16.4	ft 32.81	ft 65.62	ft 164.04	ft 328.08
BEAM ANGLE 1,6°	lux center (lx)	1088000	272000	68000	10880	2720
	foot candles (fc)	101115	25279	6320	1011	253
	diameter (cm)	14	28	56	140	279
	diameter (ft)	0.46	0.92	1.83	4.58	9.16

FAD SYSTEM EXAMPLE



for more data scan the front page QR code